

LEGEND Δ

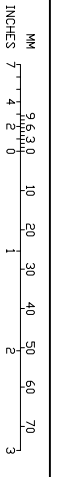
- 1 FUEL SYMBOL 'F-34'
- 2 ENGINE OIL SYMBOL '0-156'
- 3 HYDRAULIC FLUID SYMBOL 'H-515'
- 4 OXYGEN SYMBOL '400 PSI / 2750 KPa'
- 5 EXTERNAL ELECTRICAL POWER SYMBOL '28V 8000A DC'
- 6 EARTHING POINT SYMBOL 'GROUND EARTH HERE'
- 7 CABIN PRESSURE TEST POINT SYMBOL
- 8 HYDRAULIC SYSTEM TEST POINT SYMBOL
- 9 HYDRAULIC SYSTEM MAINTENANCE
- 10 BATTERY ACCESS SYMBOL (COLOUR No 33538)
- 11 ELECTRONIC COMPARTMENT SYMBOL (COLOUR No 33538)
- 12 FUEL DRAIN SYMBOL
- 13 FUEL FILTER SYMBOL
- 14 JACKING POINT SYMBOL (COLOUR No 33538)
- 15 HOISTING POINT SYMBOL (COLOUR No 33538)
- 16 MOORING POINT SYMBOL (COLOUR No 33538)
- 17 STATIC PORT SYMBOL (COLOUR No 31136)
- 18 NO STEP SYMBOL
- 19 PAINTING DATA (REF SH 5)
- 20 IGNITER ACCESS SYMBOL
- 21 RESCUE ARROW (REF SH 4)
- 22 EJECTION SEAT WARNING (REF SH 4)
- 23 CANNPY JETTISON INSTRUCTIONS (REF SH 4)
- 24 CANNPY OPENING INSTRUCTIONS (COLOUR No 33538)
- 25 'ICE DETECTOR'
- 26 'FUSELAGE DISCONNECT BOLT'
- 27 'DANGER' (COLOUR No 31136) 'HOT AIR BLAST' (COLOUR No 37038)
- 28 'DO NOT TURN TOW BAR PAST THIS POINT'
- 29 'FOR TYRE PRESSURE REFER TO APPLICABLE MAINTENANCE MANUAL'
- 30 'FUEL DRAIN IN SPEEDBRAKE WELL'
- 31 'ANGLE OF ATTACK TRANSMITTER'
- 'WARNING' (COLOUR No 31136) 'DO NOT HANDLE' (COLOUR No 37038)
- CIRCLE AROUND ANGLE OF ATTACK TRANSMITTER (COLOUR No 31136)
- 32 SPEEDBRAKE MAINTENANCE WARNING
- 33 ARMAMENT SAFETY PIN HOLE
- 34 SIDESLIP TRANSMITTER WARNING (COLOUR No 31136) 'DO NOT HANDLE'
- 35 SYMMETRY CHECKING POINTS (REF SH 6 AND 7)
- 41 COMPARTMENT OPENINGS
- 42 FUSELAGE DOOR AND PANEL LOCATION (REF SH 8 AND 9)
- 43 14 SON MOTIFS (REF AFTS8662 SH 6)
- 44 DZUS FASTENER MARKINGS (REF SH 8, FIG 5, POINTS 1,2,3,6,7,8)

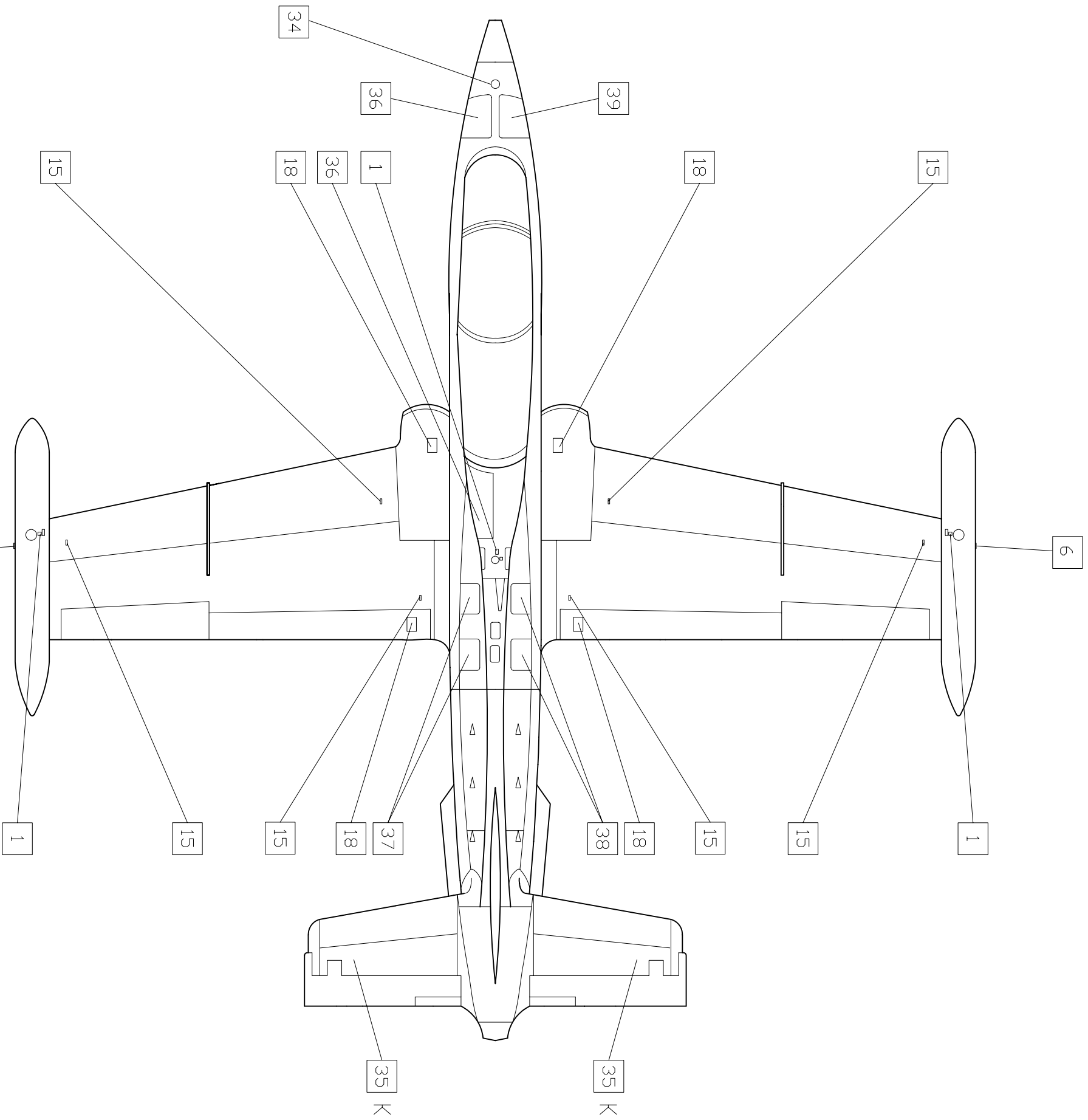
NOTES Δ

- 1. SYMBOLS & INSCRIPTIONS ARE TO BE IN ACCORDANCE WITH ASSC AIR STD 25/34 EXCEPT THAT SYMBOLS ARE TO BE APPROXIMATELY 100mm IN THE LONGEST DIRECTION AND INSCRIPTIONS ARE TO BE CAPITAL BLOCK UNIFORMS - J LETTERS AND ARABIC NUMERALS 20mm HIGH. SMALLER SIZES MAY BE USED IF THE ITEM OR AREA TO BE MARKED SO REQUIRES.
- 2. UNLESS OTHERWISE SPECIFIED MARKINGS ARE TO BE LUSTERLESS BLACK (NO 37038).
- 3. INSCRIPTIONS FOR [9] [23] [24] [32] ARE AS PER ENGLISH EXAMPLES WITHIN IT-MB339A-2-00GV.
- 4. COLOUR NUMBERS SHOWN ARE TO BE IAW FED-STD-595A

REV	DRAWN	DATE	CHECKED	DATE	APPROVED	DATE	CHANGE
-	W.DE TAYLOR	11MAR90	TEN HAVE F/L	29MAR90			
Δ	E.A. Sands	16May91	R.O'Callaghan FS	16May91	G. Russell FIS	16May91	SHT 1 NOTES 42 & 43 ADDED SHT 2 NOTE SYMBOL 11, 12 & 43 ADDED SHT 3 NOTE SYMBOL 18 DELETED SHT 4 NOTE SYMBOL 13 & 42 ADDED
Δ	G.J.Bennett	28Apr-92	R.D'Callaghan F/S	28Apr-92	C.B.Chapman AMS	28Apr-92	SHT 1 NOTE 30 ALTERED SHT 4 DETAIL 30 & 'A' ADDED
Δ	P.B. ROGERS SGT	14SEP92			C.B.CHAPMAN AMS	11DEC92	SHT 1: LEGEND AND NOTES REVISED. STATUS OF SHEETS BLOCK ADDED. DWG NO CHANGED TO CURRENT FORMAT. SHT 2,3,4,5: LEGEND REF NUMBERS REVISED. DWG NO CHANGED TO CURRENT FORMAT. SHT 6, 7: ENTIRE SHEET ADDED.

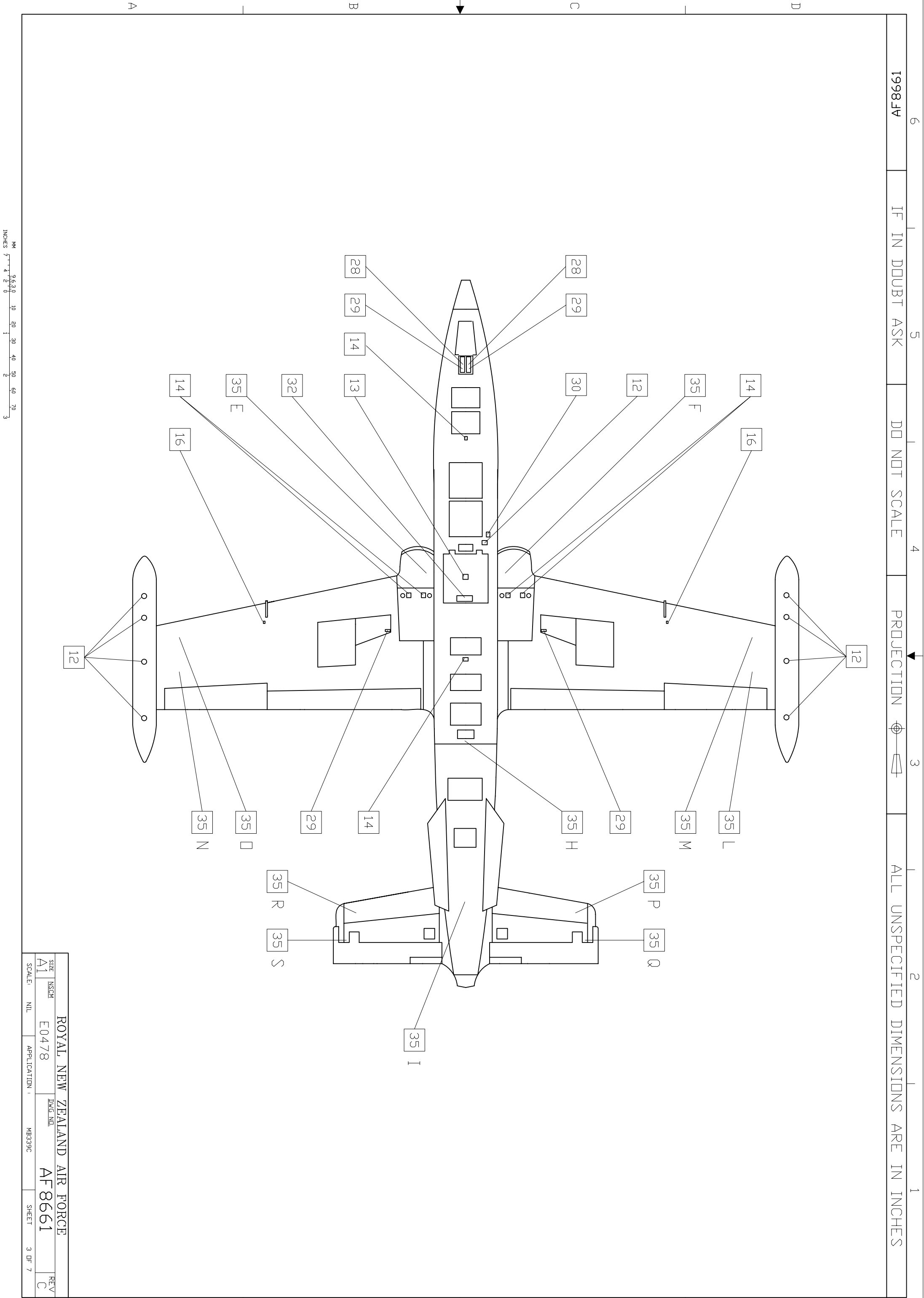
QTY	PART NUMBER	PART NAME	SH 1 ZONE	HEAT TREATMENT	FINISH	DESCRIPTION OR SPECIFICATION	STOCK SIZE
		UNSTATED LIMITS					
		FRACTIONAL $\pm 1/32$					
		DECIMAL INCH					
		MM					
		X.0					
		0.X					
		0.0X					
		0.00X					
		ANGULAR					
		° 0 30'					
		REFERENCES					
		NZAP6005.005-3					
		SIZE					
		A1					
		SCALE					
		NIL					
		APPLICATION					
		E0478					
		DWG NO					
		MB339C					
		SHEET					
		1 OF 7					
		AF8661					



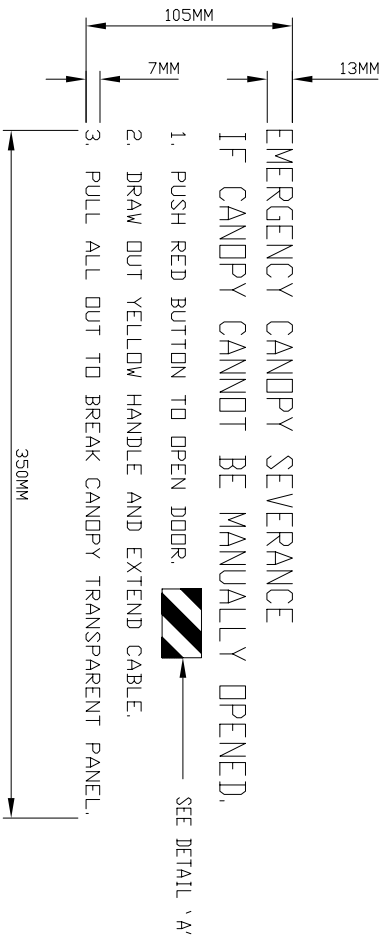
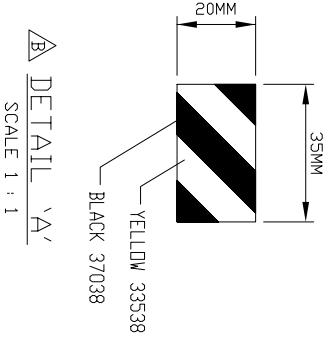


MM 7 9 10 20 30 40 50 60 70
 INCHES 1 2 3

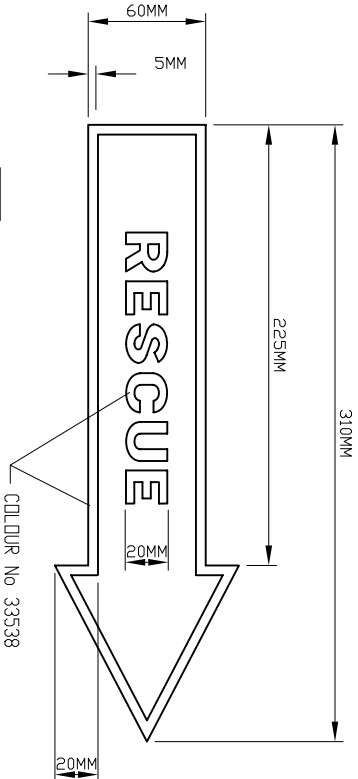
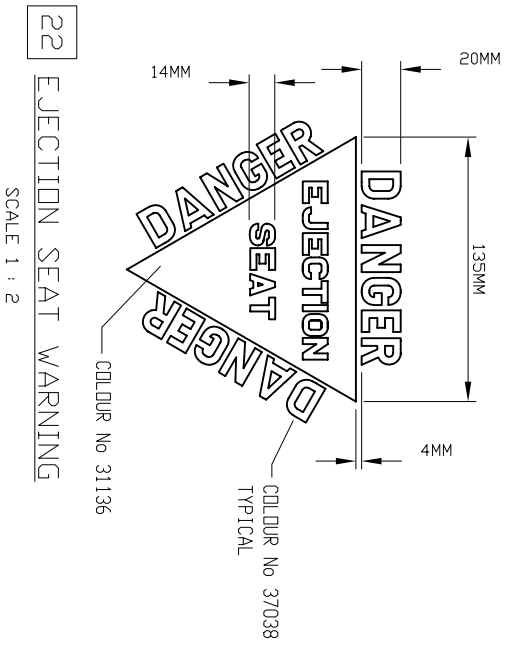
ROYAL NEW ZEALAND AIR FORCE			
SIZE	NSCM	DWG. NO.	REV
A1	E0478	AF 8661	C
SCALE:	NIL	APPLICATION:	SHEET
		MB339C	2 OF 7



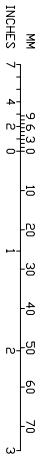
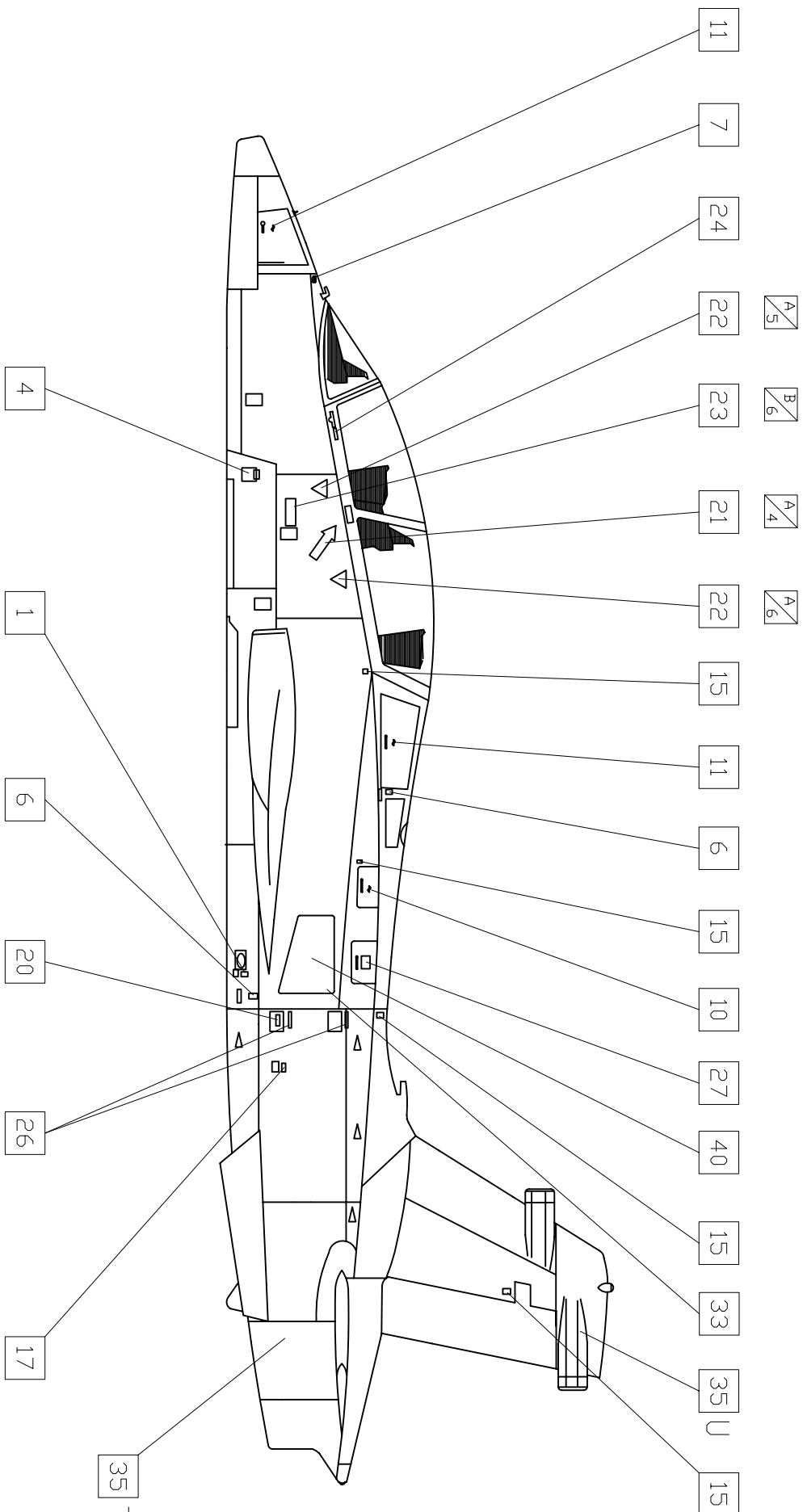
SIZE		NSCM		ROYAL NEW ZEALAND AIR FORCE	
A1		E0478		AF 8661	REV
SCALE:	NIL	APPLICATION:	MB339C	SHEET	3 OF 7



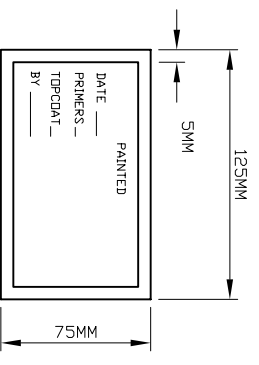
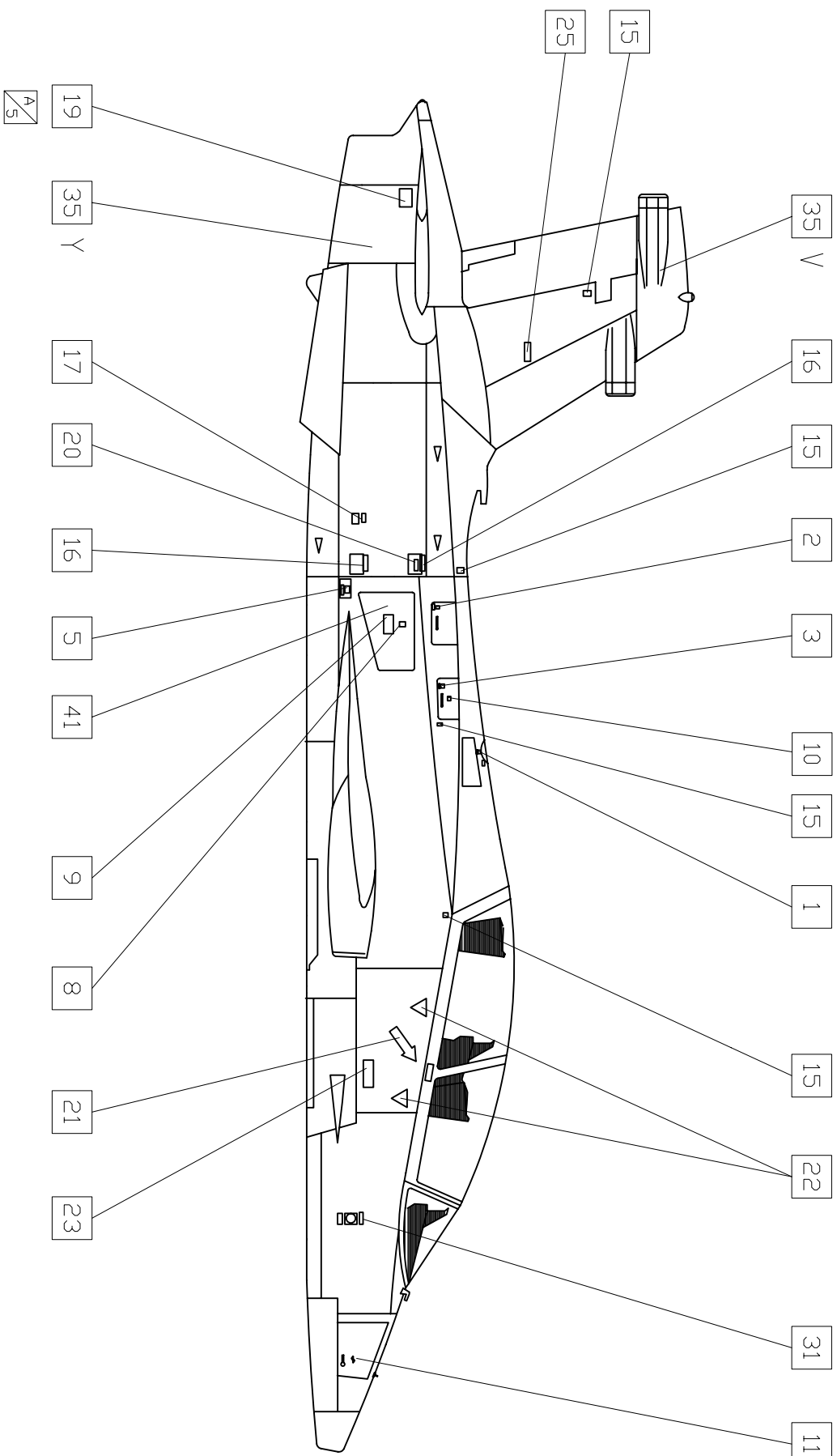
23 CANOPY JETTISON INSTRUCTIONS
SCALE 1 : 2



21 RESCUE ARROW
SCALE 1 : 2

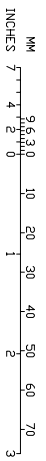


ROYAL NEW ZEALAND AIR FORCE			
SIZE	NSCM	DWG NO	REV
A1		E0478	AF8661
SCALE	NIL	APPLICATION	SHEET
		MB339C	4 OF 7



19 PAINTING DATA

SCALE 1 : 2



ROYAL NEW ZEALAND AIR FORCE			
SIZE	NSCM	DWG. NO.	REV
A1	E0478	AF8661	C
SCALE:	NIL	APPLICATION:	SHEET
		MB339C	5 OF 7

1998SLJY 6

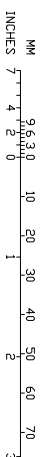
IF IN DOUBT ASK 5

DO NOT SCALE 4

PROJECTION  3

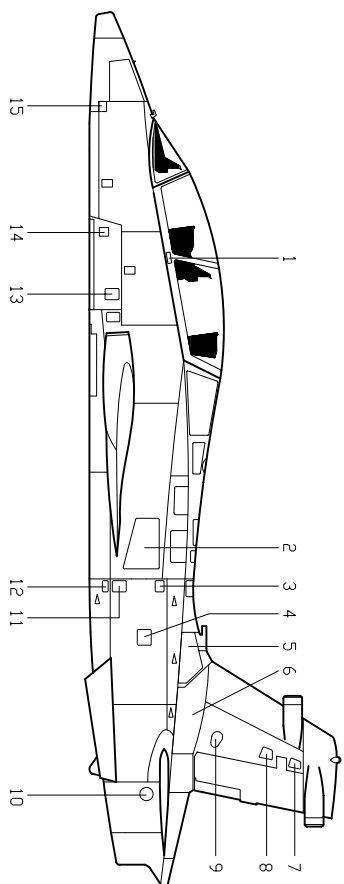
ALL UNSPECIFIED DIMENSIONS ARE IN INCHES 2 1

CHECK POINTS



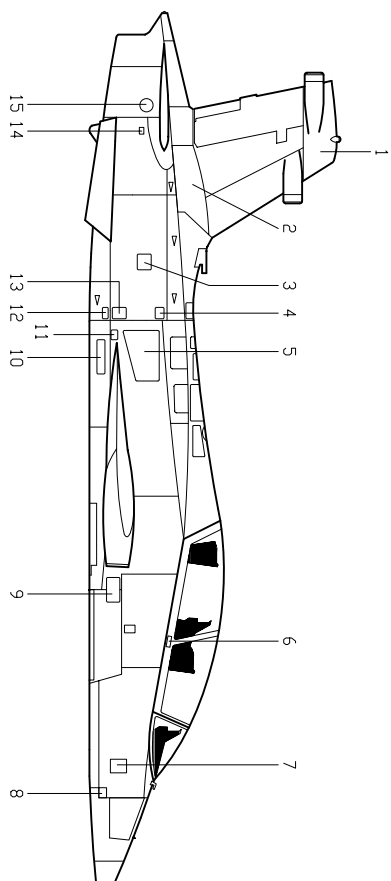
SIZE		NSCM		ROYAL NEW ZEALAND AIR FORCE		DWG. NO.		REV	
A1		E0478		AFTS8661		MB339C		--	
SCALE: NTS		APPLICATION:		SHEET		6 OF			

DOOR AND PANEL NUMBERS



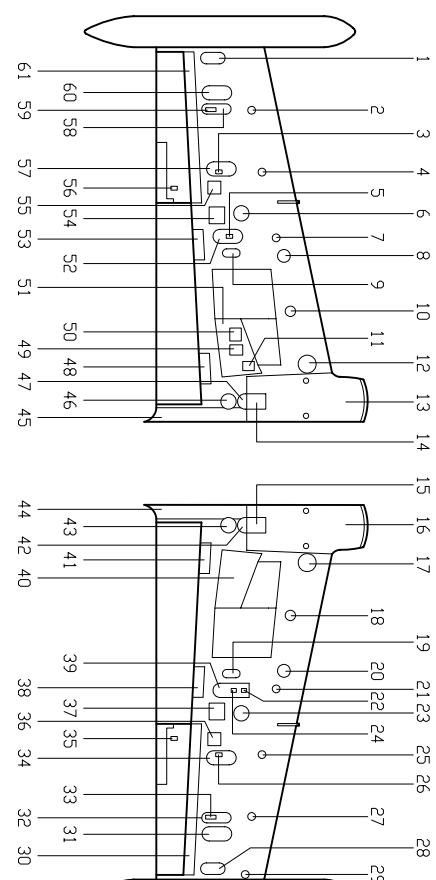
REF	DOOR/ PANEL NO	REF	DOOR/ PANEL NO
1	1122-1	11	5221-1
2	5113-1	12	5222-1
3	5123-1	13	1222-2
4	5123-2	14	1222-1
5	5122-2	15	1211-1
6	5122-1		
7	9121-1		
8	9122-1		
9	9123-1		
10	5133-1		

FUSELAGE LEFT SIDE



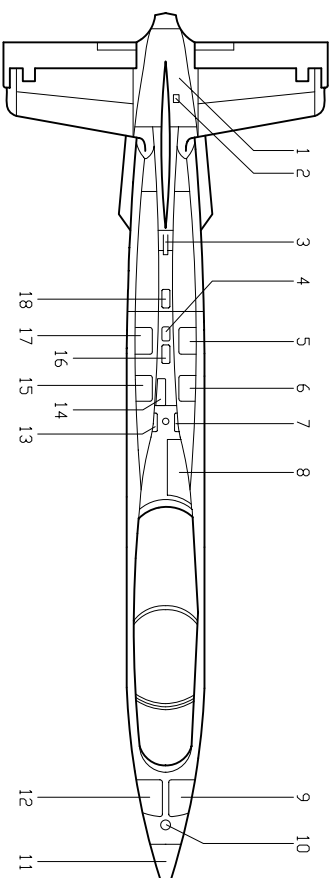
REF	DOOR/ PANEL NO	REF	DOOR/ PANEL NO
1	9122-2	11	6211-1
2	6122-2	12	6222-1
3	6123-2	13	6221-2
4	6123-1	14	6123-3
5	6113-1	15	6133-1
6	2122-1		
7	2221-1		
8	2211-1		
9	2232-1		
10	6212-1		

FUSELAGE RIGHT SIDE



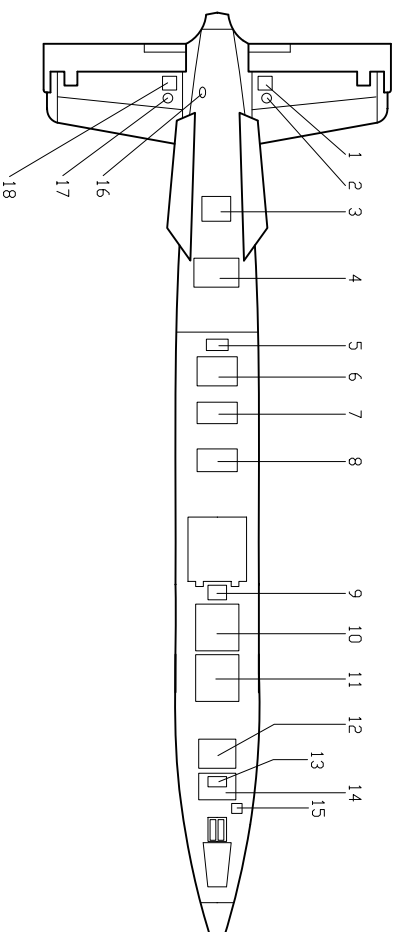
REF	DOOR/ PANEL NO	REF	DOOR/ PANEL NO	REF	DOOR/ PANEL NO	REF	DOOR/ PANEL NO	REF	DOOR/ PANEL NO
1	4221-1	13	4213-5	25	3212-3	37	3223-2	49	4223-52
2	4211-1	14	4213-51	26	3222-41	38	3233-1	50	4223-5
3	4221-41	15	3213-51	27	3212-1	39	3223-3	51	4223-51
4	4211-2	16	3213-5	28	3222-1	40	3223-6	52	4223-3
5	4223-31	17	3213-4	29	3212-2	41	3233-1	53	4233-1
6	4223-1	18	3213-3	30	3232-1	42	3223-6	54	4233-2
7	4213-1	19	3223-4	31	3222-2	43	3223-7	55	4221-6
8	4213-2	20	3213-2	32	3222-3	44	3133-2	56	4231-2
9	4223-4	21	3213-1	33	3222-31	45	4133-2	57	4221-4
10	4213-3	22	3223-31	34	3232-2	46	4223-8	58	4221-3
11	2232-1	23	3223-1	35	3222-6	47	4223-6	59	4221-31
12	4213-4	24	3223-32	36	3222-4	48	4233-2	60	4221-2
								61	4231-1

WING UNDERSIDE



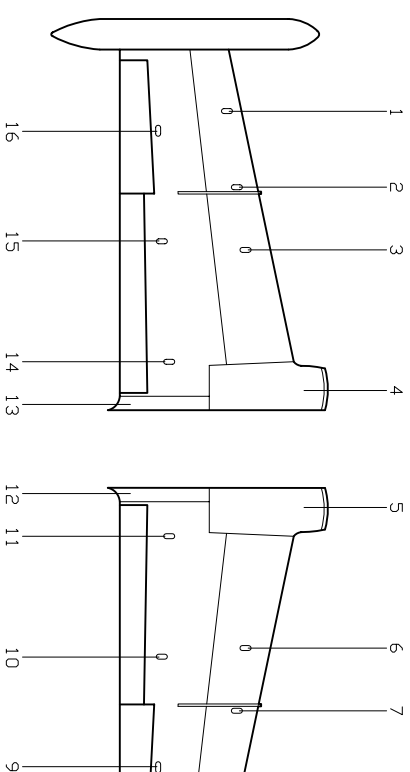
REF	DOOR/ PANEL NO	REF	DOOR/ PANEL NO
1	5131-1	11	1112-1
2	5131-11	12	2113-1
3	5121-2	13	6111-1
4	5111-3	14	6111-2
5	5112-2	15	6112-1
6	5112-1	16	5111-2
7	5111-1	17	6112-2
8	1131-1	18	5121-1
9	1113-1		
10	1113-1		

FUSELAGE UPPER SIDE



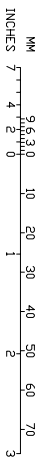
REF	DOOR/ PANEL NO	REF	DOOR/ PANEL NO
1	8222-1	11	1223-3
2	8222-2	12	1223-2
3	5223-2	13	1223-11
4	5223-1	14	1223-1
5	5213-4	15	2223-1
6	5213-3	16	5233-1
7	5213-2	17	7222-2
8	5213-1	18	7222-1
9	1233-1		
10	1223-4		

FUSELAGE UNDERSIDE



REF	DOOR/ PANEL NO	REF	DOOR/ PANEL NO
1	3112-1	11	4123-1
2	3112-2	12	4133-2
3	3113-1	13	3133-2
4	3113-2	14	3123-1
5	4113-2	15	3133-1
6	4113-1	16	3122-1
7	4112-2		
8	4111-1		
9	4121-1		
10	4133-1		

WING UPPER SIDE



SIZE	NSGM	ROYAL NEW ZEALAND AIR FORCE	
A1	E0478	DWG NO	AF8661
SCALE	NTS	APPLICATION	MB339C
		SHEET	7 OF 7